

Installation Instructions

Holley Performance Products • 1801 Russellville Road • Bowling Green, KY 42101 • www.holley.com

KIT # RK200-10

2018-20 Tesla, Model 3 Performance, AWD, Drop Springs

Kit Contents	Description	Part Number	Qty
	Front Spring	F11-87-001-02-FA	2
	Rear Spring	F11-87-001-01-RA	2
	Instructions		1

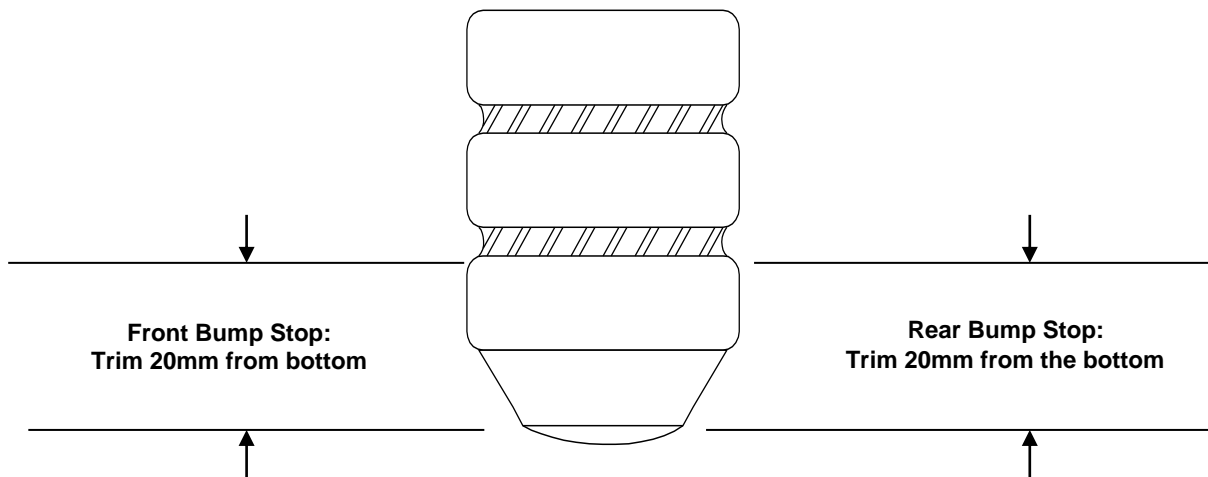
NOTES: Read All Instructions Before Beginning Installation

- **Only qualified mechanics experienced in the installation and removal of suspension components should perform this installation.**
- **Use** of a hoist is highly recommended and will substantially reduce installation time.
- **Never work on or under a vehicle unless it is properly supported by safety stands and wheels are blocked.**
- **Never use impact wrenches or impact guns** to install or remove shock absorber piston components, shafts and piston rod nuts.
- Rekudo springs should be installed with the part number right side up. All original stock spring isolators, dampers and tubing should be retained from the stock springs and used when installing the Rekudo Springs.
- **After** installation, it is always important to inspect and adjust the following if necessary:
 - Wheel alignment such as camber, caster & toe
 - Tire and/or wheel fender clearance, when aftermarket tires and wheels are used.
 - Brake line clearance and attachments
 - Brake anti-locking and anti-skid system sensors
- **Tire Rotation:** In order to increase the life of your tires, it is recommended to rotate your tires every 3,000 miles.
- **For MacPherson Strut type front suspension,** it is important to mark the orientation of the upper perch with respect to the lower perch before disassembly. This orientation must remain the same with the installation of the Pro Kit springs. Noise may result if this procedure is not performed correctly.

Bump Stop Modification Instructions

Typical Bump-Stop

(Bump-Stop from your vehicle may have different shape)



www.holley.com

Holley